

Gateway Project

An Open Source SST and MeF Interface

Agenda

1. Project Overview

2. Technical Overview

3. Quick Demo

4. How to get Involved

5. Questions

Project Overview

Provide required web services interfaces for processing SST Electronic Returns (SERs) and SST Registrations (SREG).

Provide basic validation on files passing through the interface.

- Invalid XML, duplicate transactions, invalid FIPS code, etc.

Parse XML transactions to useable format for existing Returns Processing system.

- In Vermont case this was SQL, it could also have been fixed length or CSV flat files, or XML transformation for other existing systems.

Design an application what would support Modernized eFile (MeF) development.

Build this application using Open Source technology and make available to other states.

<http://gateway.sourceforge.net>

Project Overview



Technologies

- Java / JEE
- Axis / Web Services
- XML / Soap
- XSLT
- JSP /Java Server Faces
- Hibernate
- Message Driven Beans(MDB)



Platforms

- JBoss Application Server – J2EE Compliant middle tier server
- MySQL - enterprise level DBMS
- Hypersonic – DBMS built into JBoss

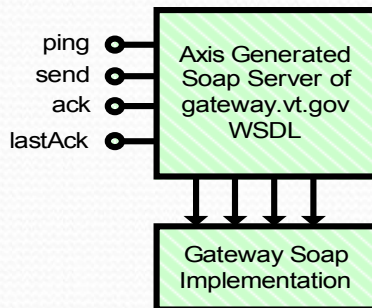


Development

- Eclipse IDE
- ANT
- Subversion
- JUnit / XMLUnit / JEEUnit/ HTTP Unit
- Trac / CruiseControl

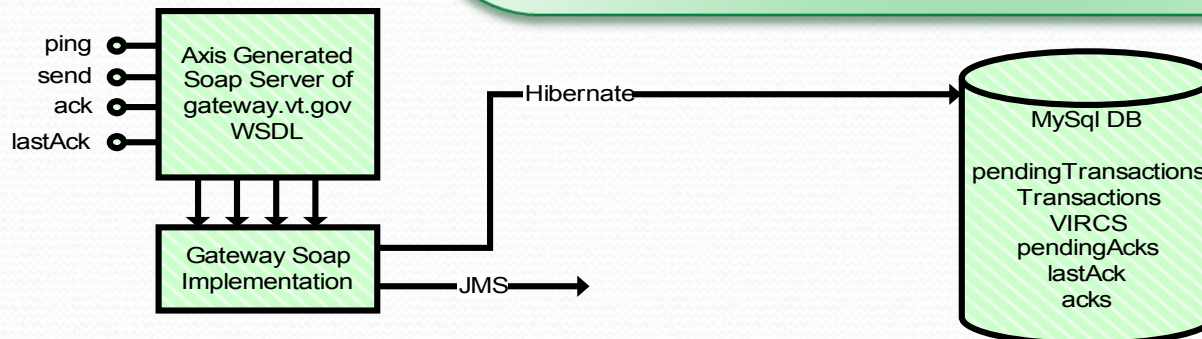
Technical Overview

The Gateway started with a WSDL as given in the SST Implementation Guide. Then using Axis's WSDL to Java tool, to create a soap service implementation of that web service. The Axis generated code is extended by the gateway's soap implementation. The function described by the WSDL are; ping, send, ack, and last Ack.



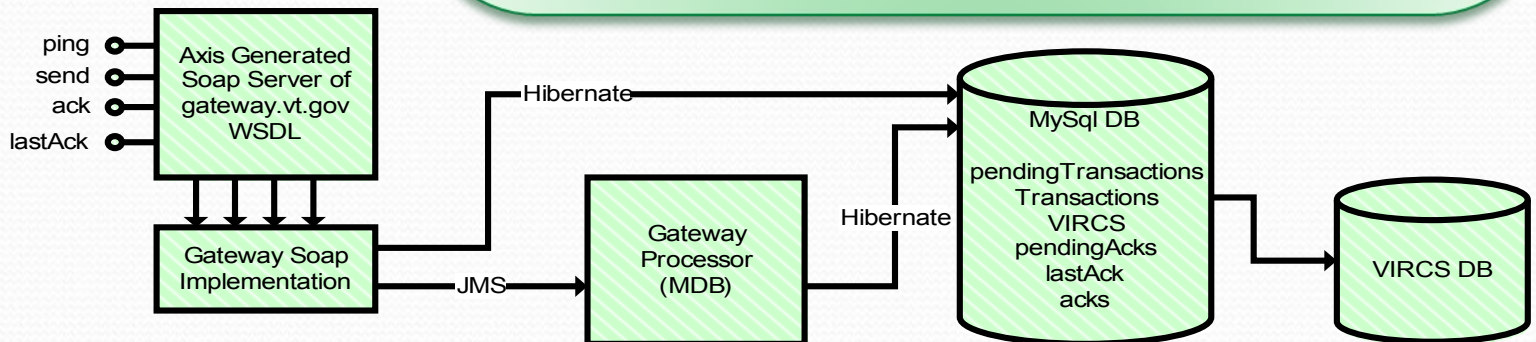
Technical Overview

For the most part the Gateway's soap implementation process the requests are they arrive. Ping simply report things are up and running. Ack and lastAck pull acknowledgements from the DB and send them to the requester. Send is the star of the show, after some basic validations and securing the transaction to the DB, the soap implementation send a request to a MDB and a reply back to the requester.

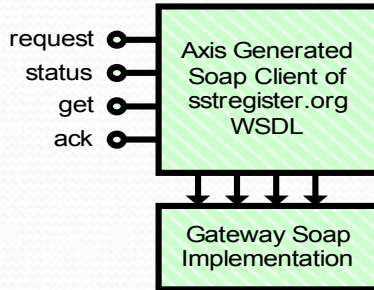


Technical Overview

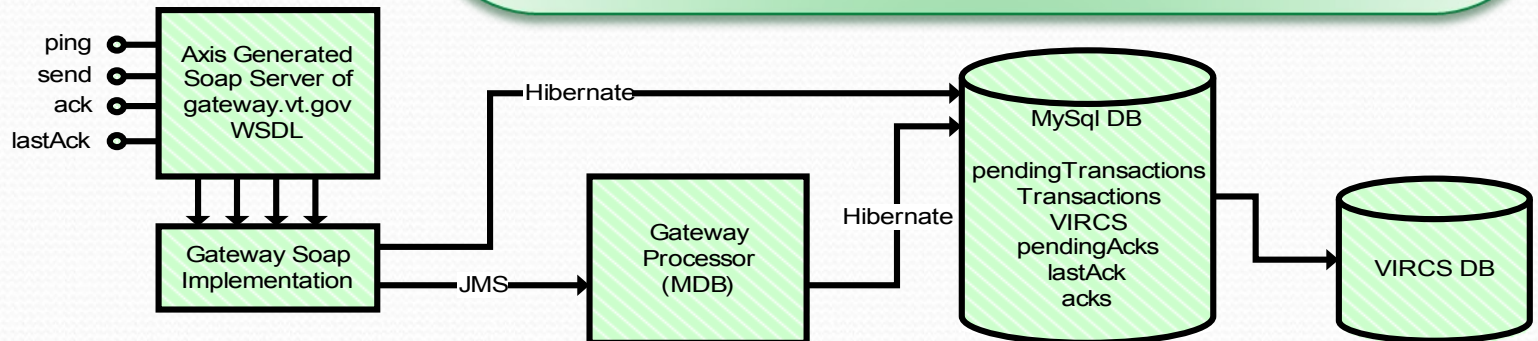
The MDB Gateway processor gets the message request and does more validation on the transmission. Test are made for duplicate transactions, wrong FIPS codes, invalid document (doesn't match the schema) or manifest counts don't match. It builds the acknowledgements and the back-end artifacts (for Vermont this is SQL for our enterprise tax systems, VIRCS).



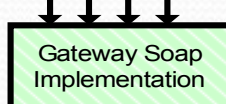
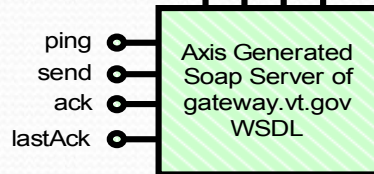
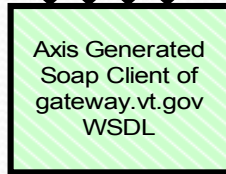
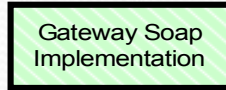
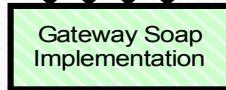
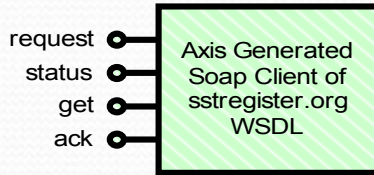
Technical Overview



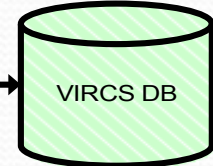
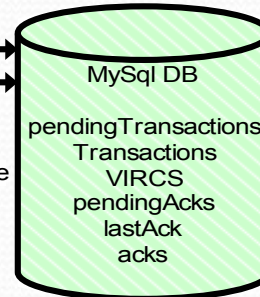
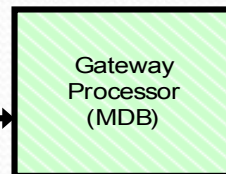
Using the WSDL from sstregister.org and the same Axis WSDL to Java tool as before, we created the soap client for those web services. The Axis generated code is extended by the gateway's soap implementation. The function described by the WSDL are; request, status, get, and ack.



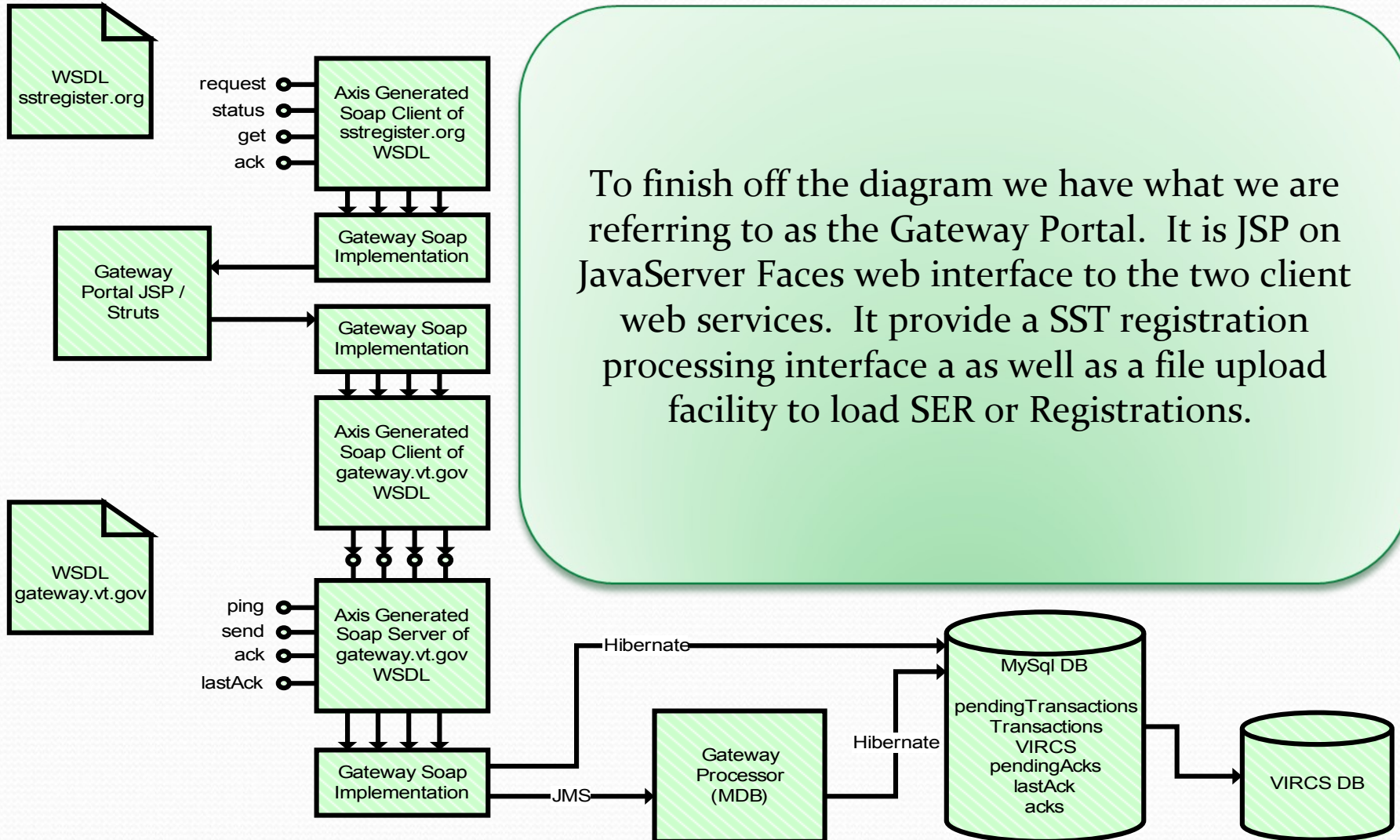
Technical Overview



Again the Axis, to created the soap client for our web services. The Axis generated code is again extended by the gateway's soap implementation. The function still are; ping, send, ack, and lastAck.



Technical Overview



To finish off the diagram we have what we are referring to as the Gateway Portal. It is JSP on JavaServer Faces web interface to the two client web services. It provide a SST registration processing interface a as well as a file upload facility to load SER or Registrations.

Gateway Demo

How to get involved

There are many ways to get involved with the Gateway project. A successful project requires many people to play many roles. Some members write code or documentation, while others are valuable as testers, submitting patches and suggestions.

The team is comprised of Members and Contributors. Members have direct access to the source of a project and actively evolve the code-base. Contributors improve the project through submission of patches and suggestions to the Members. The number of Contributors to the project is unbounded. All contributions to the project are greatly appreciated. Get involved today.

We are currently looking for help in the following areas; documentation writer, graphic and CSS/HTML designer, and Java developers. We also need New State Porter, we'd love to share the code with other states to create a common code base.

gateway.sourceforge.net

Gateway : HomePage

[HomePage](#) :: [Categories](#) :: [PageIndex](#) :: [RecentChanges](#) :: [RecentlyCommented](#) :: [Change settings/Logout](#) :: You are [ShawnKasulka](#)

Welcome to the Gateway project website!

The [gateway](#)^{oo} is a [JavaEE](#)^{oo} application developed by the [Vermont Department of Taxes](#)^{oo}. It provides a web services framework for accepting [Streamlined Sales Tax](#)^{oo} registrations and returns. It also includes a web interface for manually submitting transmissions. The goal is to build an extensible framework upon which future tax services can be built. For a more detailed overview of the gateway, please see the [About](#) page.

News

June 18, 2007 - Gateway 3.0_beta1 has been Released

The first release of gateway is available [here](#)^{oo}. We also have a [Press Release](#)^{oo}.

June 8, 2007 - Source Code Available Through Subversion

Another milestone was reached today. We've made the gateway source code public. It can be accessed through our [subversion repository](#)^{oo}. In the coming days we will be posting [Documentation](#) for building and deploying the application. A formal release will be made sometime in the next few weeks.

June 1, 2007 - Project Website Created

Today marks the birth of this website. The site is running [WikkaWiki](#)^{oo}, a [flexible](#)^{oo}, [standards-compliant](#)^{oo} and [lightweight](#)^{oo} [wiki](#)^{oo} engine written in [PHP](#)^{oo}, which uses [MySQL](#)^{oo} to store pages. Please be patient while we are constructing the site and preparing the source code for public release.

Site Navigation

- [About](#)
- [Contact Us](#)
- [Contributors](#)
- [Documentation](#)
- [Frequently Asked Questions](#)
- [Roadmap](#)
- [Links](#)

[Project Page](#)^{oo} [Tracker](#)^{oo} [Code](#)^{oo}
[Services](#)^{oo} [Download](#)^{oo} [Tasks](#)^{oo}



Sourceforge.net/projects/gateway

SOURCEFORGE.NET®

Welcome, **skasulka** | [Log out](#) - We remember you

SF.net ▾

Projects ▾

Services BETA ▾

My SF.net ▾

Help ▾

[Advanced](#)

SF.net » Projects » Gateway » **Summary**

Gateway



[Advanced](#)

Project ▾

Tracker ▾

Mailing Lists ▾

Code ▾

Services ▾

Download ▾

Admin ▾

[Project Web Site](#)



[Donations?](#)



[Stats](#)



[RSS](#)

The gateway is a JavaEE application developed by the Vermont Department of Taxes. It provides a web services framework for accepting Streamlined Sales Tax registrations and returns. It also includes a web interface for manually submitting transmissions. [\[Edit\]](#)



Download Gateway

Project Admins: mjgagne, skasulka, tcort

Operating System: OS Portable (Source code to work with many OS platforms)

License: Mozilla Public License 1.1 (MPL 1.1)

Category: XML, SOAP, Dynamic Content (Manage Feedback)

Latest News

[Vermont releases Gateway as an open source project.](#) 2007-06-18

<http://gateway.sourceforge.net>

gatewayvm.osuosl.org

SUPPORT OSUOSL
RACKATHON

Welcome to the Gateway Project Demonstration and Testing Site

Introduction

The [gateway](#) is an [open source](#) project created and maintained by the [Vermont Department of Taxes](#). This server, [gateway-demo.osuosl.org](#), is running the gateway application. The purpose is to demonstrate the technology and provide third party application developers with a place to test their applications.

For Users

The web interface to the gateway is available on this server for you to try out. You can get there by clicking [here](#). When you attempt to view any of the pages you will be prompted for a username and password. Use the username **GATEWAY99** and password **GATEWAY99**. The application has been installed in demo mode. It won't let you change any attributes of the GATEWAY99 user, nor the ADMIN, TAXSTAFF, or TRANSMITTER groups. However, any other user or group can be created, changed or deleted. Have fun exploring. Please report any bugs you come across to the [bug tracker](#) on [Source Forge](#). Questions or comments should be sent to the [gateway-discuss mailing list](#).

For Developers

The gateway implements the Streamlined Sales Tax Web Service as described in the [SSTP Implementation Guide](#) by the [Streamlined Sales Tax Project](#). The WSDL is published at the following URL: <http://gateway-demo.osuosl.org/gateway/services/EFileServiceSoap?WSDL>. You may submit data using the username **GATEWAY99** and password **GATEWAY99** with FIPSCode 99 to test your applications, but please don't abuse this service. Data more than 24 hours old may be purged periodically depending on usage.

Thank You

A huge thank you to the folks at the [OSU Open Source Lab](#). The OSL [hosts](#) this site and [many others](#) at no cost. If you found this site useful, please consider [contributing](#) to the OSU OSL. Your contribution helps cover the costs for bandwidth, facilities, and human resources.

Copyright © 2007 Vermont Department of Taxes

<http://gateway.sourceforge.net>

Starting
an Open
Source
project,
you never
know who
might be
interested.

<http://www.chineselinuxuniversity.net/news/7311.shtml>



请您点击广告表达对我们的支持

导航: 欢迎您进入中国Linux大学, 目前我们的总注册用户数 2958, 总点击数 2856511

Google定制搜索:

搜索站内资源

[Linux大学](#) | [新闻](#) | [技术文章](#) | [电子书与软件](#) | [资源站点](#) | [周报和杂志](#) | [内核补丁](#) | [人才中心](#) | [自由时空](#)

Vermont releases Gateway as an open source project

摘自: www.linuxpr.com 被阅读次数: 44

由 [yangyi](#) 于 2007-06-19 15:46:51 提供

The Vermont Department of Taxes Gateway Team is pleased to announce the initial open source release of Gateway

Montpelier, Vermont, United States - 17. Jun 2007 - The Vermont Department of Taxes Gateway Team is pleased to announce the initial [open source](#) release of Gateway. [Gateway](#) is a JavaEE application developed by the [Vermont Department of Taxes](#). It provides a web services framework for accepting [Streamlined Sales Tax](#) registrations and returns. It also includes a web interface for manually submitting transmissions. The goal is to build an extensible framework upon which future tax services can be built.

Many states have struggled implementing Streamlined Sales Tax and other XML-based electronic return systems. The Vermont Department of Taxes is venturing into the open source arena in an effort to improve interstate collaboration on development projects. Gateway is built leveraging a number of open source technologies, and using open source tools. It is designed to be easily modified and easily extended for use in other states.

The Vermont Department of Taxes Gateway Team is sharing this development work in hopes that it will help other states accomplish their goals while reducing costs for everyone. More information can be found at the Gateway project website at <http://gateway.sourceforge.net>.

原文链接: <http://www.linuxpr.com/releases/9780.html>

[关于我们](#) | [联系方式](#) | [投放广告](#) | [赞助我们](#) | [用户反馈](#) | [友情链接](#)

www.chineselinuxuniversity.net由一个Linux爱好者创办

<http://gateway.sourceforge.net> Copyright © 2006 Chinese Linux University, All Rights Reserved

ICP备案编号: [京ICP备07002196号](#)

Questions

Contact Information



Matt Gagne
Programmer
Matt.Gagne@state.vt.us

Tom Cort
Java / Linux Guru
and Chief
Contributor
Tom.Cort@state.vt.us

Shawn Kasulka
Project Manager and Architect
Shawn.Kasulka@state.vt.us